

DS-2CE57H0T-VPITE(C)
5 MP Vandal PoC Fixed Dome Camera

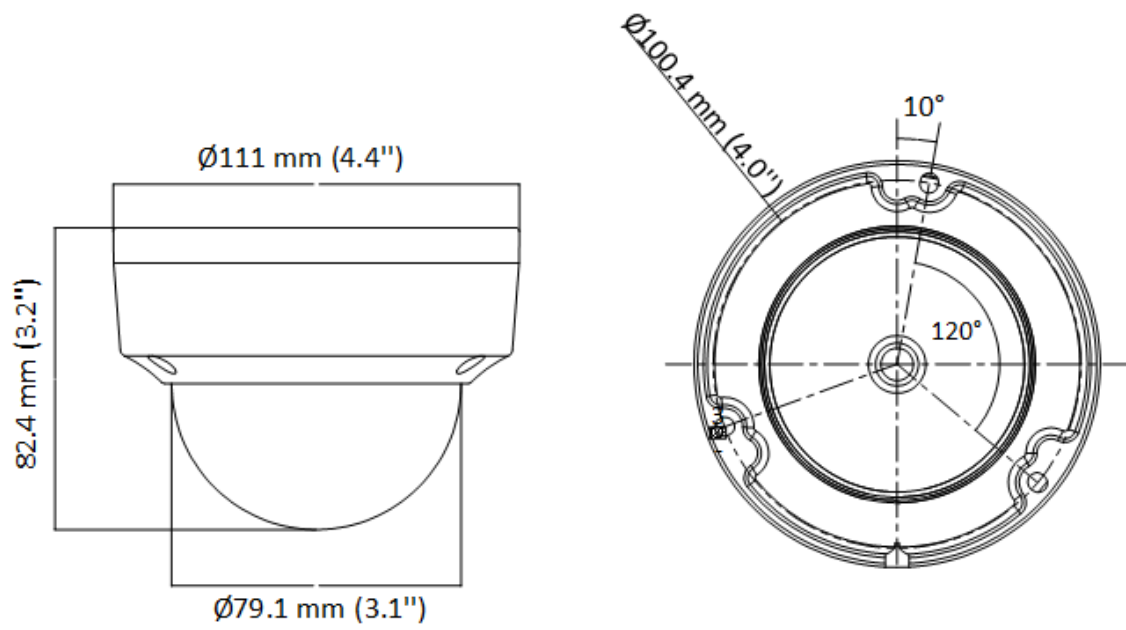


- High quality imaging with 5 MP, 2560 × 1944 resolution
- 2.8 mm and 3.6 mm fixed focal lens
- Up to 20 m IR distance for bright night imaging
- Water and dust resistant (IP67) and vandal resistant (IK10)

▪ Specification

Camera	
Image Sensor	5 MP CMOS
Max. Resolution	2560 (H) × 1944 (V)
Min. Illumination	0.01 Lux @ (F2.0, AGC ON), 0 Lux with IR
Shutter Time	PAL: 1/25 s to 1/50, 000 s NTSC: 1/30 s to 1/50, 000 s
Day & Night	ICR
Angle Adjustment	Pan: 0 to 355°, Tilt: 0 to 75°, Rotation 0 to 355°
Signal System	PAL/NTSC
Lens	
Lens Type	2.8 mm and 3.6 mm fixed focal lens
Focal Length & FOV	2.8 mm, horizontal FOV: 93°, vertical FOV: 75°, diagonal FOV: 124° 3.6 mm, horizontal FOV: 77°, vertical FOV: 57°, diagonal FOV: 103°
Lens Mount	M12
Image	
Image Parameters Switch	STD/HIGH-SAT
Image Settings	Brightness, Sharpness, Smart IR
Frame Rate	5 M @ 20 fps, 4 M @ 30 fps, 4 M @ 25 fps, 1080P @ 30 fps, 1080P @ 25 fps
Day/Night Mode	Auto/Color/BW (Black and White)
Wide Dynamic Range (WDR)	Digital WDR
Image Enhancement	DWDR, BLC, HLC, Global
Noise Reduction	2D DNR
White Balance	Auto/Manual
AGC	Yes
Interface	
Video Output	1 HD analog output
General	
Material	Metal
Dimension	82.4 mm × Ø111 mm (3.2" × Ø4.4")
Weight	Approx. 440 g (0.97 lb.)
Operating Condition	-40 °C to 60 °C (-40 °F to 140 °F), humidity: 90% or less (non-condensation)
Communication	HIKVISION-C
Language	English
Power Supply	12 VDC ±25%/PoC.af *You are recommended to use one power adapter to supply the power for one camera.
Consumption	Max. 2.6 W
IR Range	Up to 20 m
Approval	
Protection	IP67, IK10

▪ Dimension



▪ **Accessory**

▪ **Optional**

DS-1275ZJ-SUS	DS-1259ZJ	DS-1272ZJ-110B	DS-1272ZJ-110	DS-1258ZJ
				
DS-1271ZJ-110 DS-1280ZJ-DM18				
				

See Far, Go Further



www.hikvision.com
support@hikvision.com

