

**TOUCHSCREENS**
**INFORMATION**

## 23.8" DeepContrast PCAP+ 10-point touchscreen monitor with robust metal housing for demanding environments

The ProLite T2438MSC-B2 is a responsive and reliable 23.8" Full HD touchscreen monitor designed for both demanding environments and everyday commercial use. The IPS panel delivers clear, vibrant images with wide viewing angles, ensuring excellent visibility at workstations, service counters or customer-facing installations.



DeepContrast PCAP+ (Optical Bonding) 10-point touch technology provides smooth and accurate interaction for intuitive daily use. The edge-to-edge glass is scratch-resistant (7H) and features an anti-fingerprint coating, helping the screen stay clean and professional-looking even with frequent touch. Protection against humidity and dripping water (IPX1) adds extra confidence in busy workplaces.

A robust metal housing ensures long-term durability, while the adjustable angle stand and integrated cable management create a tidy, ergonomic setup. With built-in speakers and flexible connectivity including HDMI, DisplayPort and a USB 3.2 hub, this monitor adapts easily to different installations. Supporting landscape, portrait and face-up orientations, it is a versatile solution for retail, POS, interactive signage and professional workspaces in demanding environments.



### Vivid colors and wide viewing angles

Ensure perfect visibility from any position - The IPS panel delivers vivid, consistent colors and wide viewing angles, ideal for dynamic retail environments and busy commercial spaces.



### Tough on scratches, clean to the touch

Built for everyday interaction, the 7H scratch resistant front glass stays tough and clear, while the anti fingerprint coating keeps it clean and professional. With front side protection against humidity and dripping water, it's made to handle real world use with confidence.



### Built tough, lasts longer & performs anywhere

With a robust metal housing and hardened front glass, this monitor goes beyond the ordinary, outlasting standard plastic displays and performing reliably in demanding environments.



### Responsive interaction and good protection

Featuring intuitive PCAP touch technology with DeepContrast PCAP+, the screen offers smooth and responsive interaction with reduced glare, while remaining protected from moisture and condensation. Perfect for high-use environments.

## SPECIFICATION

### 01 DISPLAY CHARACTERISTICS

<b>Design</b>	Edge to edge glass
<b>Diagonal</b>	23.8", 60.5cm
<b>Panel</b>	IPS
<b>Native resolution</b>	1920 x 1080 @120Hz (2.1 megapixel Full HD)
<b>Aspect ratio</b>	16:9
<b>Panel brightness</b>	600 cd/m <sup>2</sup>
<b>Brightness</b>	525 cd/m <sup>2</sup> with touch
<b>Light transmittance</b>	87%
<b>Static contrast</b>	1300:1 with touch
<b>Response time (GTG)</b>	5ms
<b>Viewing zone</b>	horizontal/vertical: 178°/178°, right/left: 89°/89°, up/down: 89°/89°
<b>Colour support</b>	16.7mln 8bit
<b>Horizontal Sync</b>	30 - 138kHz
<b>Viewable area W x H</b>	527 x 296.5mm
<b>Bezel width (sides, top, bottom)</b>	17.25mm, 20.3mm, 20.3mm
<b>Pixel pitch</b>	0.275mm
<b>Bezel colour and finish</b>	black, matte

### 02 TOUCH

<b>Touch technology</b>	DeepContrast-PCAP+
<b>Touch points</b>	10 (HID, only with supported OS)
<b>Touch accuracy</b>	+ - 2mm
<b>Touch method</b>	finger, glove (latex), capacitive stylus
<b>Touch interface</b>	USB
<b>Supported operating systems</b>	All iiyama monitors are Plug & Play and compatible with Windows and Linux. For details regarding the supported OS for the touch models, please refer to the driver instruction file available in the downloads section.

### 03 INTERFACES / CONNECTORS / CONTROLS

<b>Digital signal input</b>	HDMI x1 DisplayPort x1
<b>Audio output</b>	Mini jack x1 Speakers 2 x 2W
<b>HDCP</b>	yes
<b>USB HUB</b>	x2 (USB3.2 Gen 1 (5Gbps, 5V, 900mA))

### 04 FEATURES

Extra DeepContrast PCAP+, metal housing, anti fingerprint coating, waterproof Touch function

<b>Kiosk mode</b>	yes
<b>Glass thickness</b>	3.6mm
<b>Glass hardness</b>	7H
<b>60950 Ball drop test</b>	yes
<b>Water and dust protection</b>	IP1X (front)
<b>Housing (bezel)</b>	metal
<b>OSD key lock</b>	yes

## 05 GENERAL

<b>OSD languages</b>	EN, DE, FR, ES, IT, PT, RU, JP, NL, PL
<b>Control buttons</b>	Menu, Scroll up/ Eco, Scroll down/ Volume, Enter/ Input select, Power
<b>User controls</b>	Picture adjust (brightness, contrast, i-Style color, adv. contrast, ECO mode, OD, X-Res), color settings (gamma, RGB range, color. temp.), image settings (video mode adjust, blue light reducer, sharp & soft), OSD (H. pos., V. pos., time, background, rotate, language, display information), extra (reset, DDC/CI, signal select, volume, mute, led, opening logo, touch switch)
<b>Blue light reducer</b>	yes
<b>Flicker free</b>	yes
<b>Plug&amp;Play</b>	DDC2B

## 06 MECHANICAL

<b>Orientation</b>	landscape, portrait, face-up
<b>Fanless design</b>	yes
<b>VESA mounting</b>	100 x 100mm
<b>Cable management system</b>	yes
<b>MTBF</b>	50000 hours (excluding backlight)

## 07 ACCESSORIES INCLUDED

<b>Cables</b>	power (1.8m), USB (1.5m), HDMI (1.5m)
<b>Guides</b>	quick start guide, safety guide
<b>Other</b>	Screwdriver
<b>Cable cover</b>	yes

## 08 POWER MANAGEMENT

<b>Power supply unit</b>	internal
<b>Power supply</b>	AC 100 - 240V, 50/60Hz
<b>Power usage</b>	22W typical, 1.5W stand by, 0.3W off mode

## 09 SUSTAINABILITY

Regulations CE, TÜV-Bauart, EAC, RoHS support, ErP, WEEE, REACH, UKCA, cTUVus

Energy efficiency class (Regulation (EU) 2017/1369) E

REACH SVHC above 0.1%: Lead

## 10 DIMENSIONS / WEIGHT

Product dimensions 562 x 366 x 240mm  
W x H x D

Box dimensions W x H x D 650 x 430 x 150mm

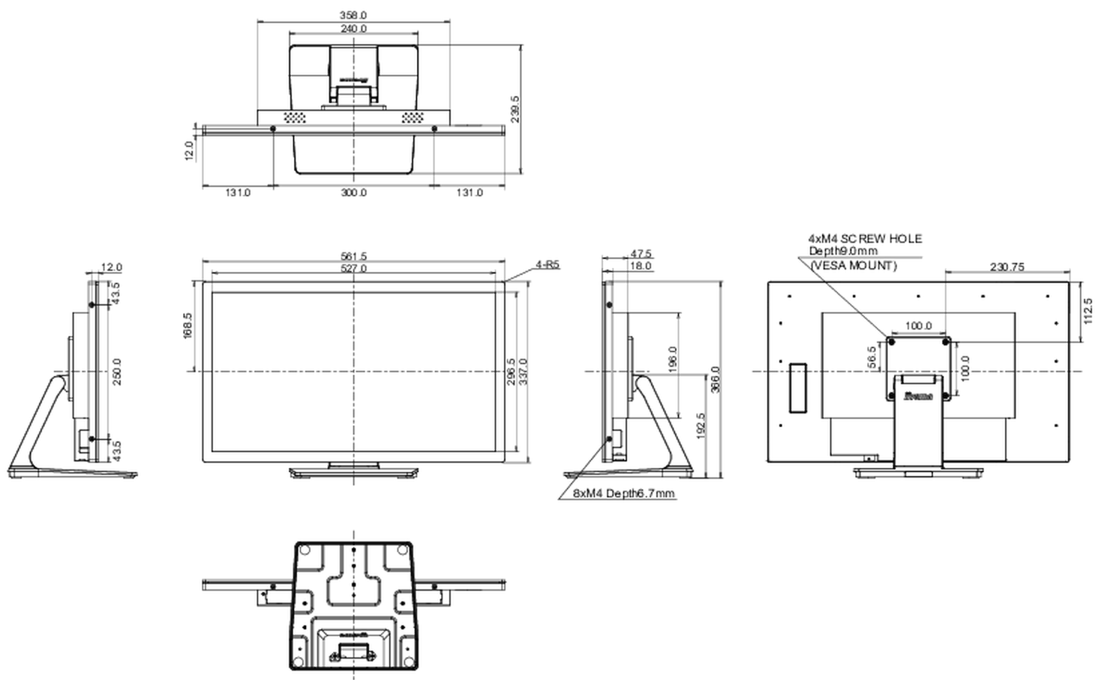
Weight (without box) 8kg

Weight (with box) 10kg

EAN code 4948570127276

## 11 EU ENERGY EFFICIENCY LABEL

Energy efficiency class (Regulation (EU) 2017/1369) E





All trademarks and registered trademarks acknowledged. E & O E. Specification subject to change without notice. All LCD's comply with ISO-9241-307:2008 in connection with pixel defects. © IIYAMA CORPORATION. ALL RIGHTS RESERVED